



Conic

Design by PearsonLloyd

Conic is a refreshing, eye catching and exciting take on various conical forms seen in contemporary soft seating over the decades. Conic's shape and form provide excellent and inviting levels of comfort with

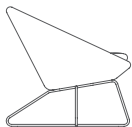
a broad appeal. New upholstery detail gives this piece a fresh twist.



A637



A630



A631



A632



Design PearsonLloyd

Luke Pearson and Tom Lloyd first met while studying Furniture Design and Industrial Design respectively, at London's prestigious Royal College of Art. They set up their multi award winning design studio in 1997. Since then the studio has created stunning

solutions for a variety of international clients from the aviation, workplace, urban design and healthcare sectors identifying and responding to shifting patterns of behaviour in contemporary life.

Standard Features

- (* - Selected models only)
- Molded foam construction
- Fully upholstered
- Tubular steel frame*
- Wire frame*
- Steel swivel pedestal base*
- Plastic glides*
- Plastic self-leveling glides*

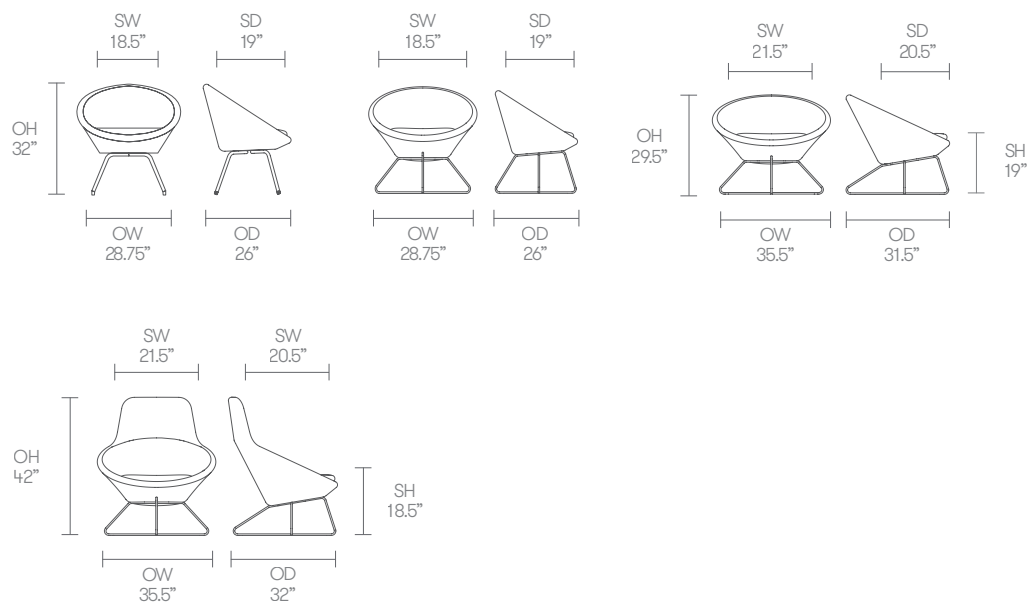
Optional Features

- Decorative railroad stitch detail to perimeter seam
- Two-tone upholstery
- Plastic self-leveling glides

Performance Standards

- BS EN 13761:2002
- BS EN 1335-2:2009-Stability requirements
- ANSI/BIFMA X5.4:2005
- SCS-EC10.2-2007 Indoor Air Quality

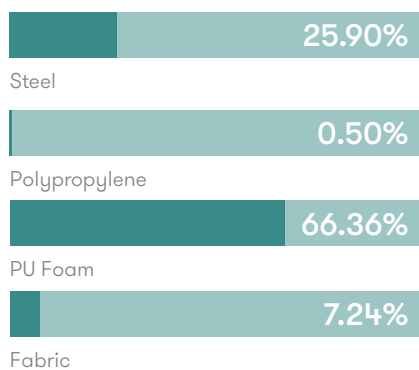
Dimensions



Environmental Performance

Material Content

Components are constructed of the following



Recycled Content

Contains up to 16.50% of Recycled Material



Recyclability

The range is 100% recyclable

100%

Finish Options

Wire or tubular Frames available in all Standard metal finishes from the Allermuir standard collection*

Decorative railroad stitch detail to perimeter seam available in Black, White, Red, Light Gray, Dark Gray or Cream.

Conic can be upholstered in a broad range of contract upholstery fabrics and leathers from Allermuir standard upholstery collection

Steel swivel pedestal base finished in Polished Chrome

Metal Finishes



Polished Chrome / Aluminum



White



New Black



Soft Gold



Soft Silver



Dark Bronze



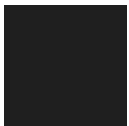
Deep Mulberry

Stitch Detail



Railroad

Thread Colors



Black



White



Red



Light Gray



Dark Gray



Cream

Note: Color images are for reference only. Please verify with actual color sample.