

Casper — CS4A

Casper is a stylish and contemporary café plastic monoshell stool designed for all manner of hospitality environments in both corporate and leisure markets. An upholstered seat comes as standard, complemented by a range of modern shell colors.



Design by Allermuir

Standard Features

- Upholstered seat pad
- Plastic shell available in a selection of colors
- Plastic underseat stack pan
- 4 leg tubular steel frame finished in Polished Chrome
- Complementary colored armpads

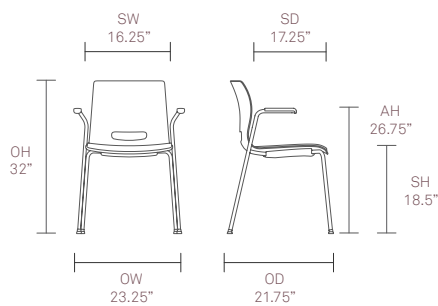
Optional Features

- Ribbed upholstered seat pad
- Plastic glides with felt

Performance Standards

- ANSI/BIFMA X5.1-2002
- SCS-EC10.3-2014

Dimensions



For finish options please refer to website