



Conic

Design by PearsonLloyd

Conic is a refreshing, eye catching and exciting take on various conical forms seen in contemporary soft seating over the decades. Conic's shape and form provide excellent and inviting levels of comfort with

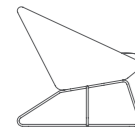
a broad appeal. New upholstery detail gives this piece a fresh twist.



A637



A630



A631



A632

Design PearsonLloyd

Luke Pearson and Tom Lloyd first met while studying Furniture Design and Industrial Design respectively, at London's prestigious Royal College of Art. They set up their multi award winning design studio in 1997. Since then the studio has created stunning

solutions for a variety of international clients from the aviation, workplace, urban design and healthcare sectors identifying and responding to shifting patterns of behaviour in contemporary life.

Standard Features

- (\* - Selected models only)
- Molded foam construction
- Fully upholstered
- Tubular steel frame\*
- Wire frame\*
- Steel swivel pedestal base\*
- Plastic glides\*
- Plastic self-leveling glides\*

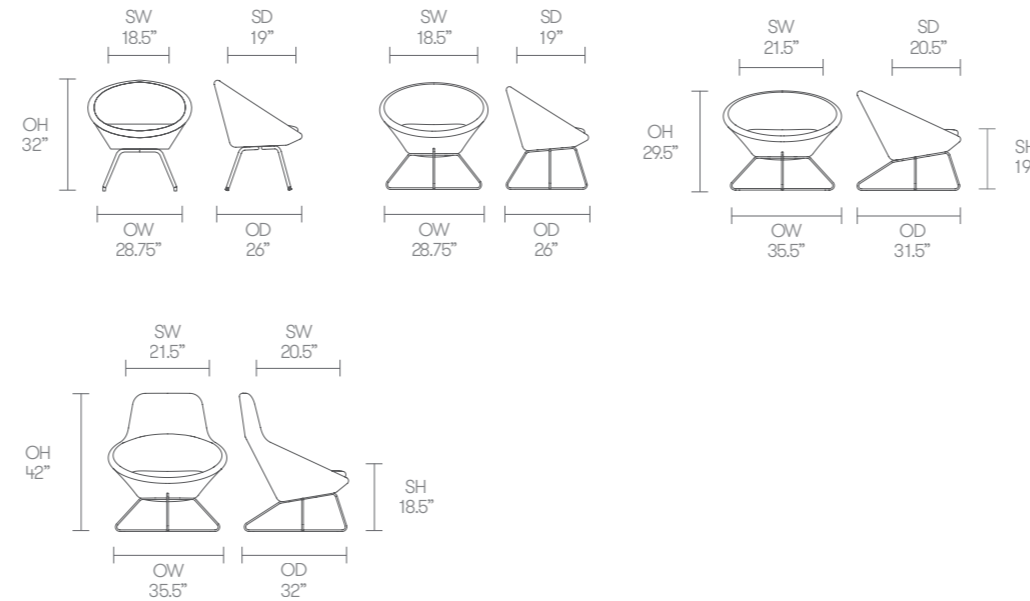
Optional Features

- Decorative railroad stitch detail to perimeter seam
- Two-tone upholstery
- Plastic self-leveling glides

Performance Standards

- BS EN 13761:2002
- BS EN 1335-2:2009-Stability requirements
- ANSI/BIFMA X5.4:2005
- SCS-EC-10.2-2007 Indoor Air Quality

Dimensions



Finish Options

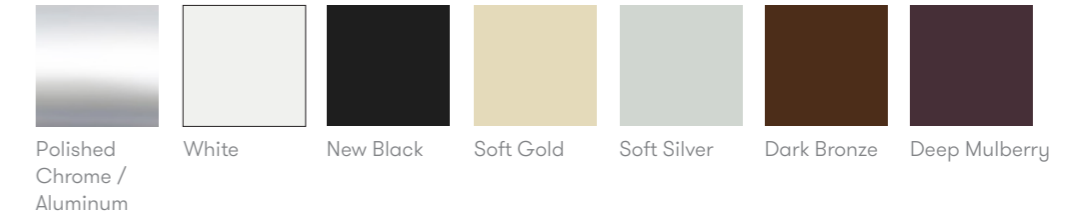
Wire or tubular Frames available in all Standard metal finishes from the Allermuir standard collection\*

Decorative railroad stitch detail to perimeter seam available in Black, White, Red, Light Gray, Dark Gray or Cream.

Conic can be upholstered in a broad range of contract upholstery fabrics and leathers from Allermuir standard upholstery collection

Steel swivel pedestal base finished in Polished Chrome

Metal Finishes

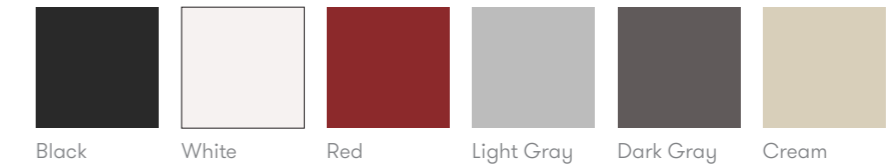


Stitch Detail



Railroad

Thread Colors



Note: Color images are for reference only. Please verify with actual color sample.

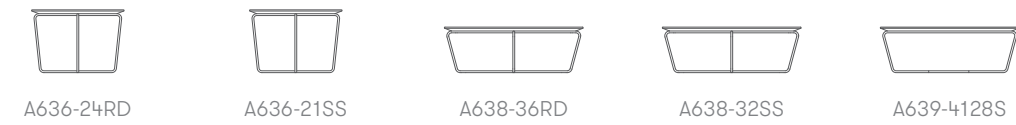


Conic Tables

Design by PearsonLloyd

Conic's range of low level tables work effortlessly with both the Conic and Open ranges given that they share a common design language.

The beautifully simple Polished Chrome wire base offers a light functional structure, that allows the tables to work effortlessly in a multitude of environments.



Design PearsonLloyd

Luke Pearson and Tom Lloyd first met while studying Furniture Design and Industrial Design respectively, at London's prestigious Royal College of Art. They set up their multi award winning design studio in 1997. Since then the studio has created stunning

solutions for a variety of international clients from the aviation, workplace, urban design and healthcare sectors identifying and responding to shifting patterns of behavior in contemporary life.

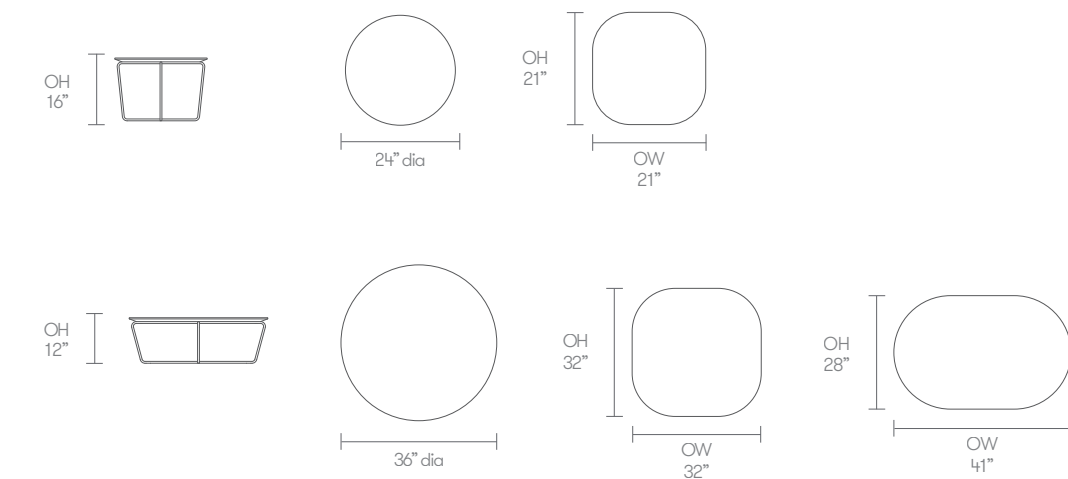
Standard Features

(\* - Selected models only)  
1" laminate faced MDF top with a clear finish edge profile  
1" laminate faced top  
Wire frame  
Plastic glides

Optional Features

Range of top shapes including: soft square, circular and soft rectangular  
Edge reference 11 or 69 on laminate faced tops\*

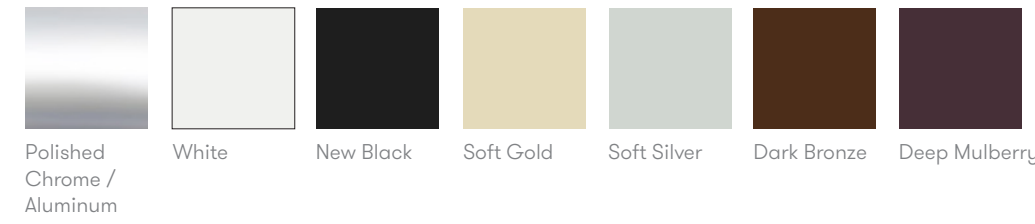
Dimensions



Finish Options

Wire Frames available in all Standard metal finishes.  
Table tops are available in a range of laminate from the Allermuir standard collection.  
Laminate tops featuring a Reference 37 or 11 edge profile can be stained

Metal Finishes



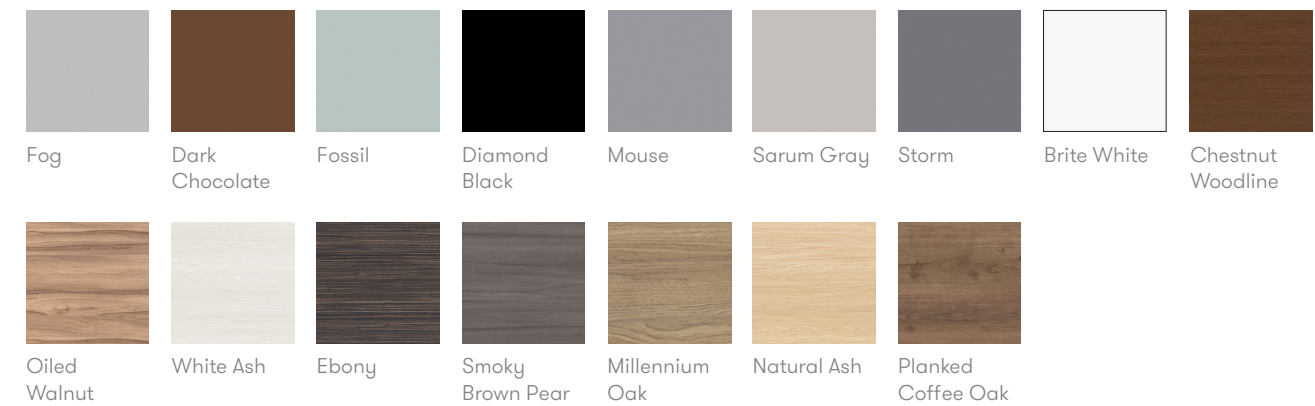
Edge Stains



Grade A Solid Surfaces



Global Laminates

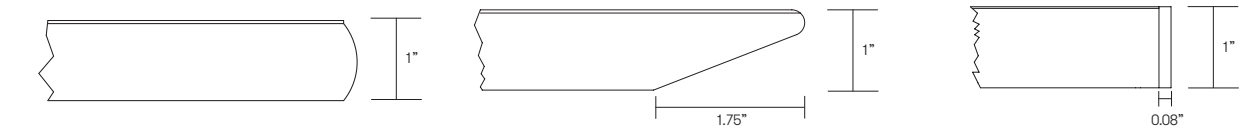


Note: Color images are for reference only. Please verify with actual color sample.

Fenix Laminates



Edge References



Edge Detail # 11

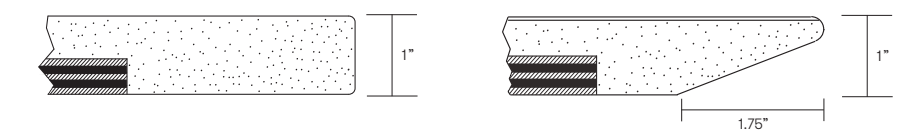
1" MDF core, specified laminate face and counterbalance with convex edge. The edge is clear finish as standard or can be stained.

Edge Detail # 37

HPL laminate over a 1" MDF core counter balanced. The edge is cut back with a chamfer. The edge is clear finish as standard or can be stained.

Edge Detail # 69

HPL laminate over a 1" MDF core with matching or solid PVC edge.



Edge Detail # 80

Solid surface 1" thick backed with hardwood plywood.

Edge Detail # 82

Solid surface 1" thick backed with hardwood plywood.

Note: Color images are for reference only. Please verify with actual color sample.