

Allermuir

Pailo

[allermuir.com](http://allermuir.com)

## PAILO

### STANDARD FEATURES (\*Selected models only)

- Solid Ash sculpted legs
- Tooled Aluminum components
- Hidden frame attachments
- Leveling feet
- Scalloped cable access
- 1" TFL table tops (TE), or 1" Laminate on ply tops (Edge 33)

### SPECIFIABLE FEATURES

- In-line or back to back frames

### COMPLEMENTARY OPTIONS

- Desk gantry for hanging screens
- Adjustable drupe screens
- Hanging screens
- Bench desk cloud screens
- Single desk cloud screens (integrated modesty panel)
- In-desk power modules for project tables
- Cable trays in accent colors
- Wire under-desk storage caddy

### ACCESSORIES

- Monitor arms
- Electrical accessories

### PERFORMANCE STANDARDS

Designed to conform to and where applicable is tested to the following standards:

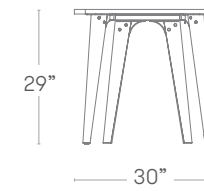
- BIFMA X5.5 x2014

# PAILO

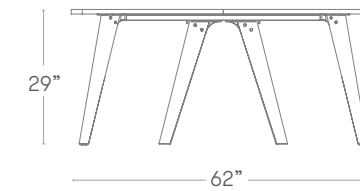
With every Allermuir design comes a great deal of thought. The design process starts way before pencil reaches paper, beginning with looking at you. We look at how you sit, reach, move and work to create a design which not only looks beautiful, but is a pleasure to use too.

Behind every Allermuir product is a fusion of intelligent thinking and innovative engineering to create products which support people whether they're focusing, collaborating, presenting or organizing.

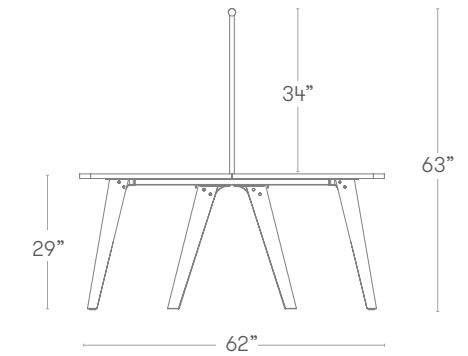
## DIMENSIONS



Single desk



Back to back bench



Back to back bench with gantry



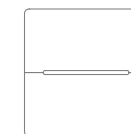
Single executive desk  
Widths. 48" - 78"  
Depth. 30"



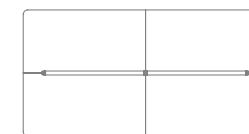
Stand alone desk  
Widths. 48" - 78"  
Depth. 30"



2 Person in-line desk



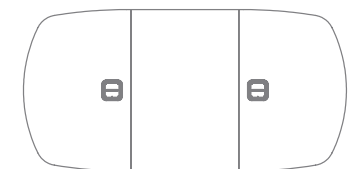
2 Person cluster  
Widths. 48" - 78"  
Depth. 62"



4 Person cluster



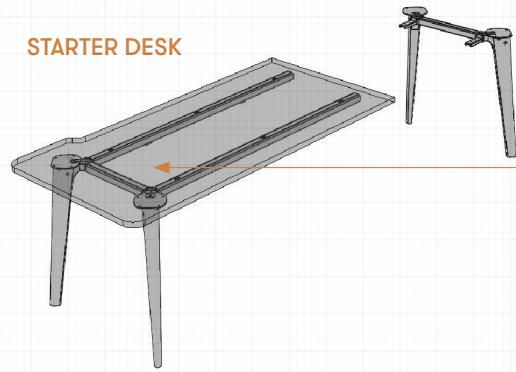
Project table  
Widths. 96" - 192"  
Depth. 62"



Boat shaped project table  
Widths. 96" - 192"  
Depth. 72"

PAILO SINGLE DESK

STARTER DESK

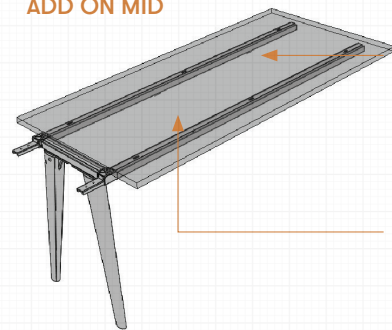


In-line desks are created by connecting an add on desk to a starter desk. You are able to link as many add on desks as necessary to complete your configuration.

Starter Desk

A Starter Desk is comprised of (2) end legs, (2) beams, (1) starter worksurface and all corresponding hardware.

ADD ON MID



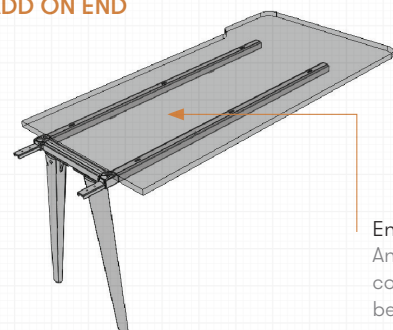
Beams

Beams connect the legs together and support the tops. The beams feature an extruded profile which can be used to attach accessories.

Mid Add On

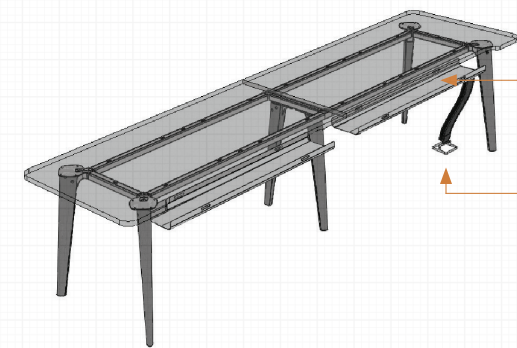
A Mid Add On desk is comprised of (1) mid leg, (2) beams, (1) mid worksurface and all corresponding hardware.

ADD ON END



End Add On

An End Add On desk is comprised of (1) mid leg, (2) beams, (1) end worksurface and all corresponding hardware.



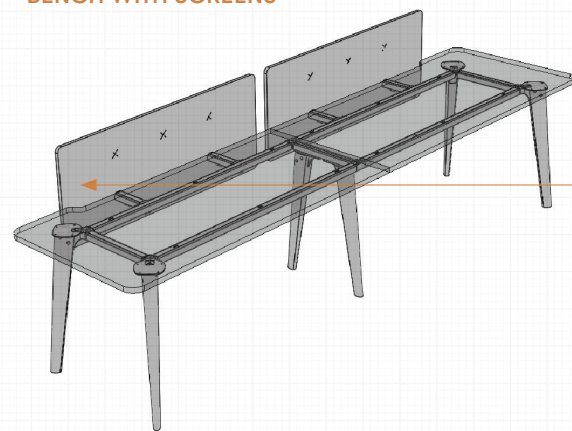
Cable Tray

Cable trays are available to manage power options. (1) Single cable tray is needed per starter desk and every additional add on.

Vertical Riser

The vertical riser is used to transport power cables from the ground to the cable tray. It is attached to the underside of the cable tray and can be positioned at either end of the cable tray.

BENCH WITH SCREENS

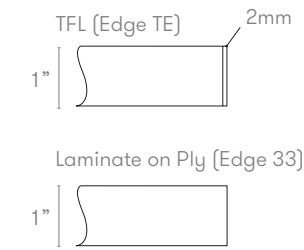
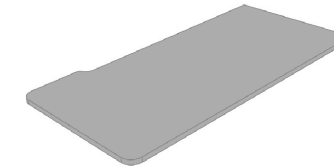


Screen / Modesty Panel

Screens are also available to separate benches to allow for more private working. The screens for single desks extend below the desk surface to act as an integral modesty panel.

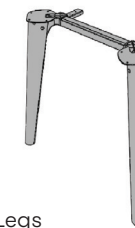
WORKSURFACES

On inline desks, one top is supplied per starter desk.



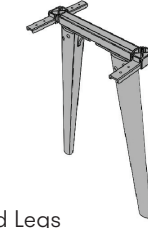
Pailo tops are available in 30" depth and lengths of 48", 54", 60", 72" and 78". Surfaces can be specified in TFL (Edge TE) or Laminate faced plywood (Edge 33).

FRAMEWORK



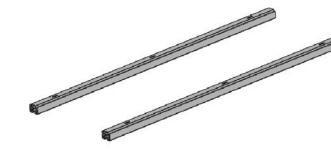
End Legs

Single end legs are for 30" deep tops. Each end leg has spigots protruding from the frame to allow the beam to be attached into place. Adjustable feet are standard.



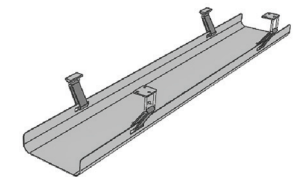
Mid Legs

Mid legs are used to connect starter desks and add-on desks. They have double sided spigots to attach beams to both sides and come with adjustable feet as standard.



Beams

Extruded Aluminum beams are used to connect the legs together. They bolt at each end to the spigots and also through to the top with a channel to hide the attachments. Beams come in widths of 48", 54", 60", 72" and 78".



Cable Trays

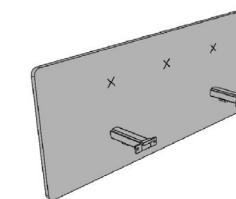
Cable trays hang from the beams using leather straps. These allow for power blocks to be housed along with any wires or loose cables.

SCREENS AND ACCESSORIES



Vertical Riser

An optional fabric vertical cable riser with zip opening is available to allow power cables to be taken neatly from the floor to the cable tray or directly to the worksurface. The riser attaches to the cable tray and has a weighted wire base. Available in black fabric.



Cloud Screen with Modesty Panel

The cloud screen mounts directly to the desks understructure. The screens for single desks extend below the desk surface to act as an integral modesty panel. Cloud screens measure 40.5" from the floor to the top of the screen.



Above Desk Power

An optional above desk power module can be added for convenient power access. 2 power outlets, and 2 charging USB ports are included. Above desk power is available with a 10 foot 3 prong plug, or 10 foot hardwire infeed.

PAILO BACK TO BACK BENCH

**STARTER DESK**



Benches are created by connecting an add on desk to a starter desk. You are able to link as many add on desks as necessary to complete your configuration.

**Starter Bench**  
A Starter bench is comprised of (2) end legs, (4) beams, (2) starter worksurfaces and all corresponding hardware.

**ADD ON MID**



**Beams**  
Beams connect the legs together and support the tops. The beams feature an extruded profile which can be used to attach accessories.

**Mid Add On**  
A Mid Add On bench is comprised of (1) mid leg, (4) beams, (2) mid work surfaces and all corresponding hardware.

**ADD ON END**



**End Add On**  
An End Add On bench is comprised of (1) mid leg, (4) beams, (2) end worksurfaces and all corresponding hardware.

**BENCH WITH CABLE MANAGEMENT**



**Cable Tray**  
Cable trays are available to manage power options. (1) Single cable tray is needed per starter desk and every additional add on.

**Vertical Riser**  
The vertical riser is used to transport power cables from the ground to the double cable tray. It is attached to the underside of the cable tray and can be positioned at either end of the cable tray.

**CLOUD SCREENS**



Screens are also available to separate benches to allow for more private working.

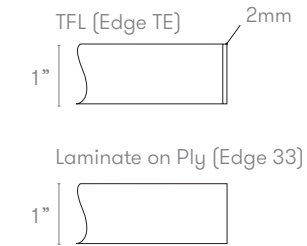
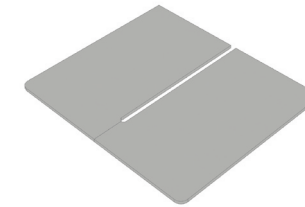
**ADJUSTABLE / HANGING SCREEN**



**Gantry**  
The gantry can be used to hang screens, lighting and personal accessories.

WORK SURFACES

On back to back benches two tops are supplied. Back to back configurations will result in 62" overall depths due to central gap for cable access.



Pailo tops are available in 62" depth and lengths of 48", 54", 60", 72" and 78". Surfaces can be specified in TFL (Edge TE) or Laminate faced plywood (Edge 33).

FRAMEWORK



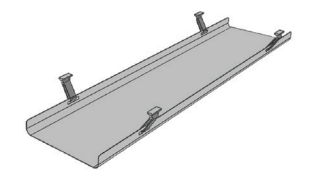
**End Legs**  
Bench end legs are 62" wide. Each end leg has spigots protruding from the frame to allow the beam to be attached into place. Adjustable feet are fitted as standard.



**Mid Legs**  
Mid legs are used to connect starter desks and add-on desks. They have double sided spigots to attach beams to both sides and come with adjustable feet as standard.

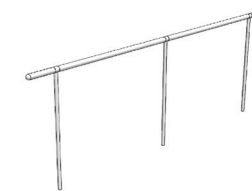


**Beams**  
Extruded aluminum beams are used to connect the legs together. They bolt at each end of the spigots and also through the top with a channel to hide the fixings. Beams are available to suit the table widths of 48", 54", 60", 72" and 78".

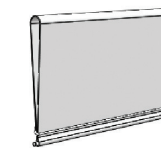


**Cable Trays**  
Cable trays hang from the beams from leather straps. These allow for power blocks to be housed along with any wires or loose cables.

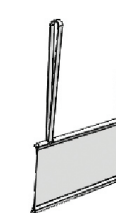
SCREENS AND ACCESSORIES



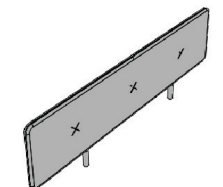
**Gantry**  
The gantry mounts directly to the desks understructure and can be used to hang accessories such as screens and lighting. Constructed of metal uprights and a wooden top rail.



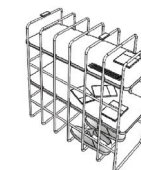
**Adjustable drape screen**  
The adjustable drape screen is for use with the gantry. The fabric screen is suspended and can be raised or lowered by the user depending on the amount of privacy desired.



**Hanging screen**  
The hanging screen is for use with the gantry. The fabric screen is suspended via 2 bridle leather straps.



**Cloud screen**  
The cloud screen mounts directly to the desk frame. Screens feature an 'X' detail in the screen upholstery. Cloud screens measure 41" from the floor to the top of the screen.



**Wire caddy**  
The wire caddy is suspended from the desk beams and includes 2 adjustable shelves to allow personal belongings to be kept off the floor and close to hand. When the shelves are removed, the wire caddy can be used as a CPU holder. Available in 6 accessory colors.

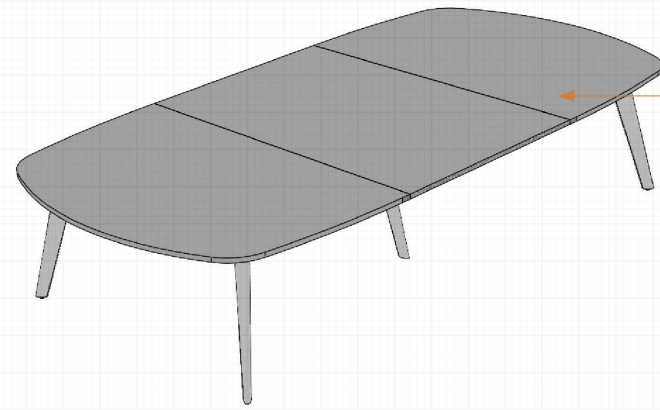


**Vertical Riser**  
An optional fabric vertical cable riser with zip opening is available to allow power cables to be taken neatly from the floor to the cable tray or directly to the worksurface. The riser attaches to the cable tray and has a weighted wire base. Available in black fabric.

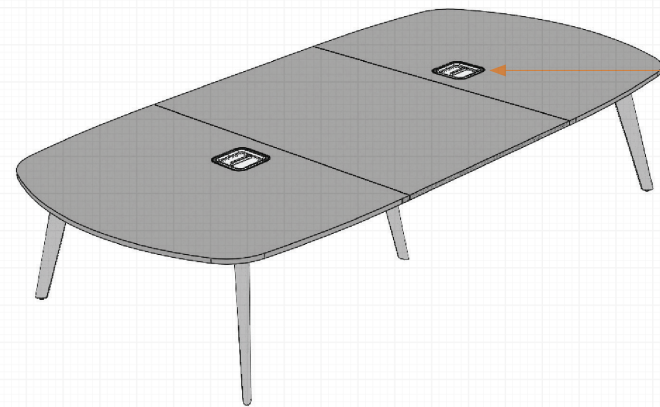


**Above Desk Power**  
An optional above desk power module can be added for convenient power access. 2 power outlets, and 2 charging USB ports are included. Above desk power is available with a 10 foot 3 prong plug, or 10 foot hardwire infeed.

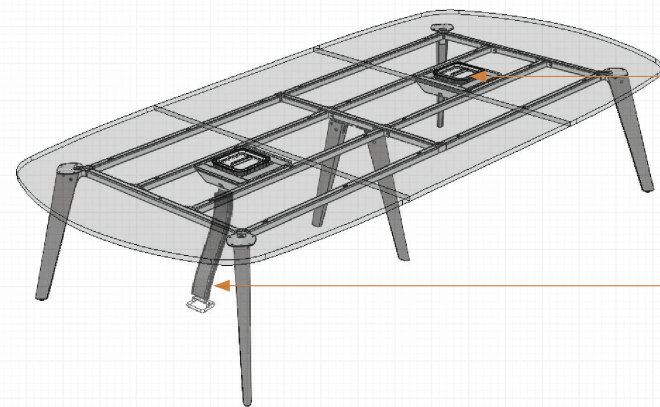
PAILO PROJECT TABLES



**Project Tops**  
Project table tops are made with uniformly sized top panels so there is no central joint between the tops.



**Power Option**  
Simple power access via drop in cover.

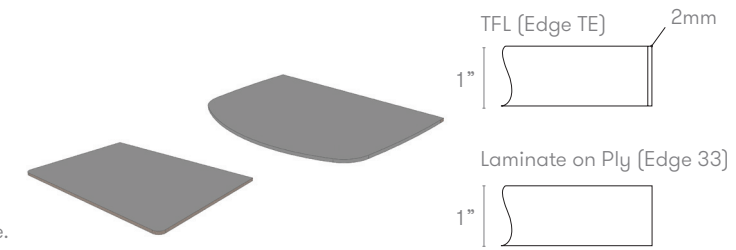


**Power Option**  
Choice of 2 pre-configured power options.

**Wire Management**  
Vertical cable manager takes power neatly up to the desk.

WORKSURFACES

Project table tops are made with uniformly sized top panels so there is no central joint between the tops.  
The grain direction runs with the depth of the surface.



Project tables are available in 62" or 72" depth and lengths of 96", 144", and 192". Surfaces can be specified in TFL (Edge TE) or Laminate faced plywood (Edge 33).

FRAMEWORK



**End Legs**  
Project table end legs are 62" wide. Each end leg has spigots protruding from the frame to allow the beam to be attached into place. Adjustable feet are fitted as standard.

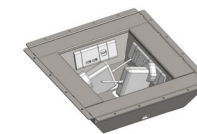


**Mid Legs**  
Mid legs are used to connect starter desks and add-on desks. They have double sided spigots to attach beams to both sides and come with adjustable feet as standard.



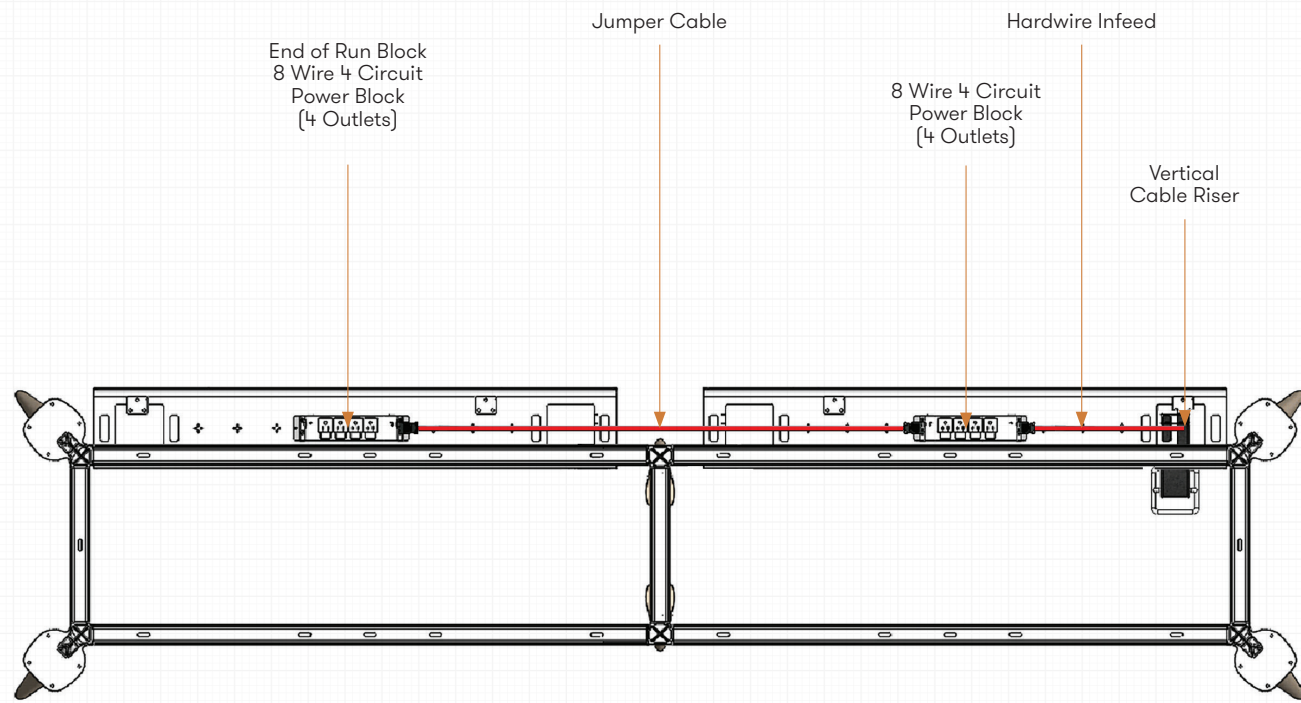
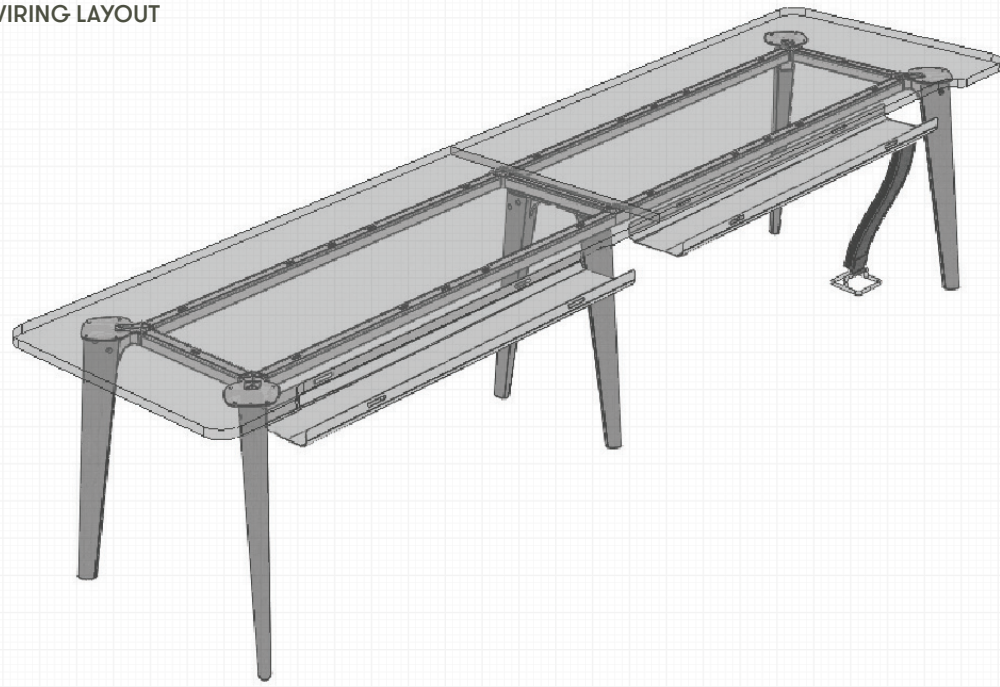
**Beams**  
Extruded Aluminum beams are used to connect the legs together. They bolt at each end to the spigots and also through to the top with a channel to hide the attachments. Beams are available to suit the table widths of 96", 144" and 192".

POWER AND ACCESSORIES

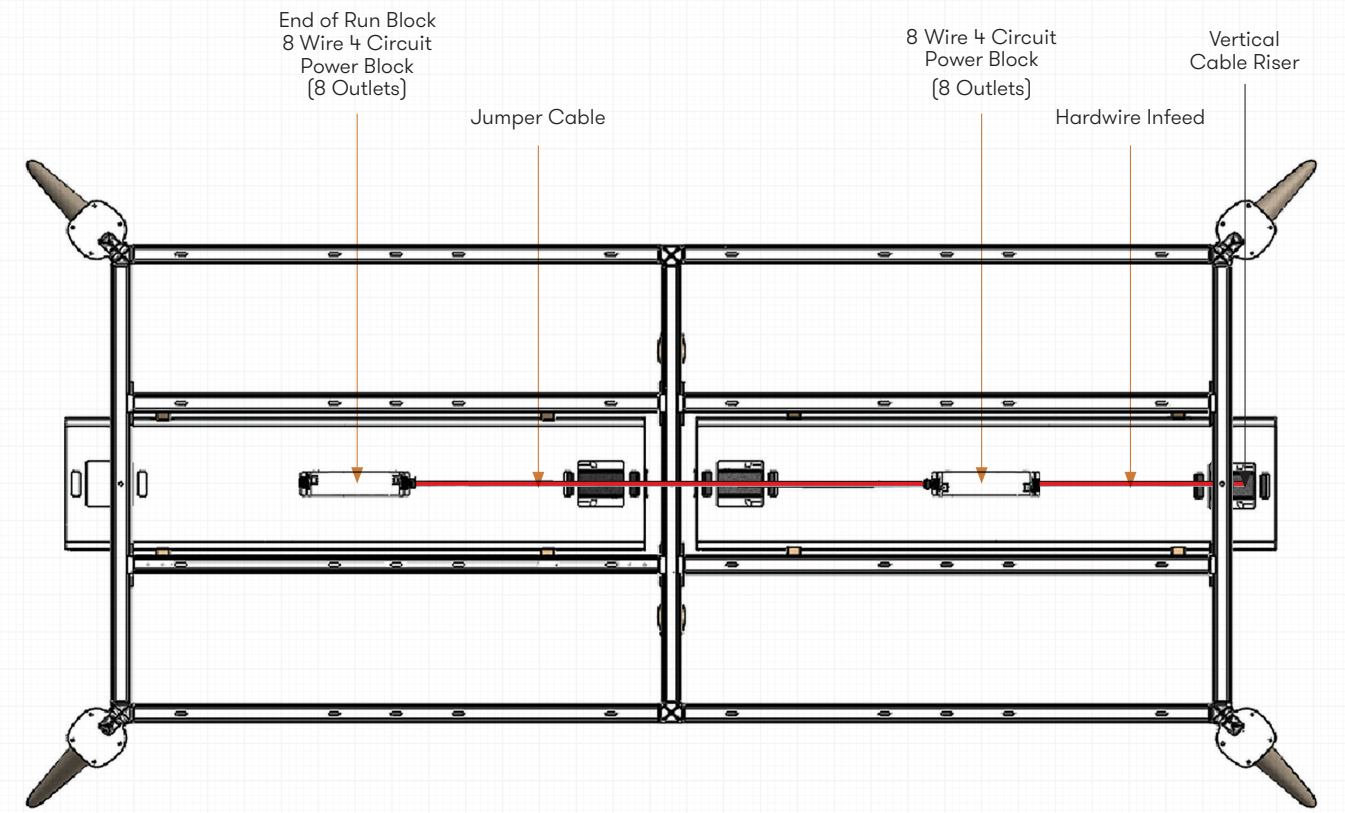
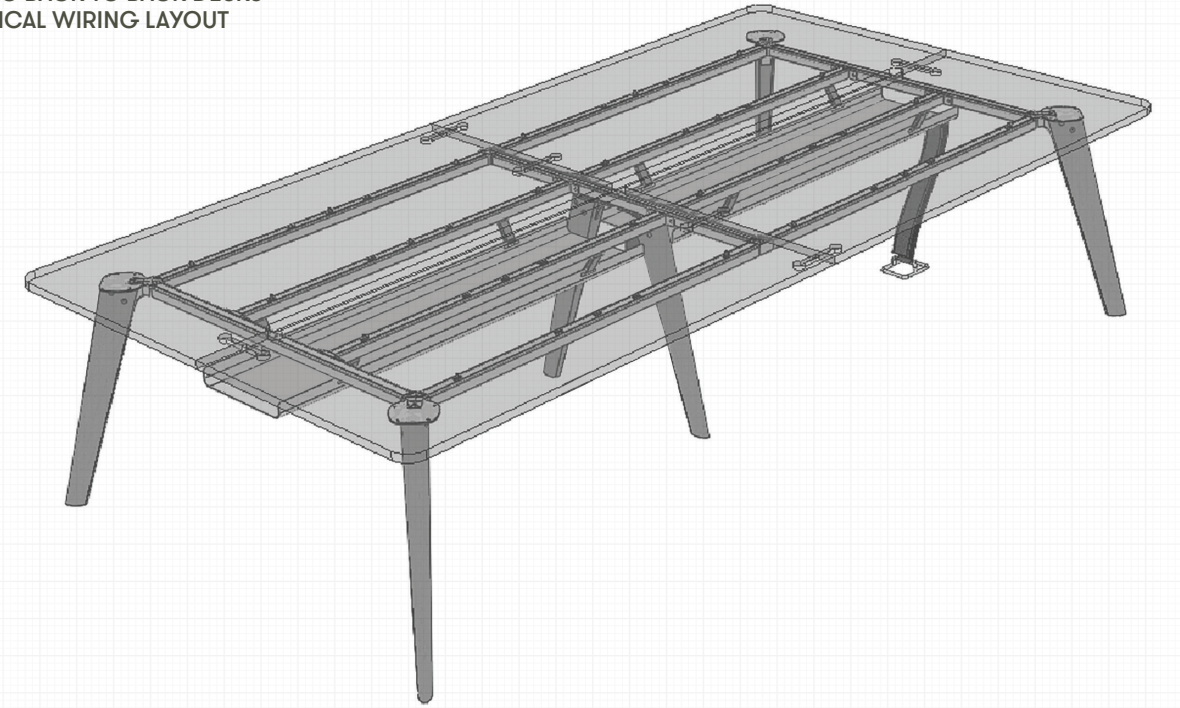


**Code A & B**  
In table power options are available on Pailo project tables. Power option A (4 Power) and Power option B (4 Power, 2 USB A+C Charging, and HDMI) are available.

PAILO INLINE DESKS  
TYPICAL WIRING LAYOUT



PAILO BACK TO BACK DESKS  
TYPICAL WIRING LAYOUT



# Pailo - Single Desk

Design – Allermuir

Pailo is a desking system featuring single and back to back benches as well as two shapes of project tables for more relaxed work settings. A natural selection for any corporate space, Pailo’s defining wood legs are available in a matte clear lacquer or a black stain to complement the wide range of top finishes available.

The inclusion of a gantry provides a hanging space for Pailo’s versatile range of screens and accessories. Hanging screens can be suspended from the gantry by bridle leather straps, leaving the above space free to be used for accessories and plants. An adjustable drape screens offer personalized levels of privacy, attached to the gantry they can be raised or lowered by the user to suit individual preference.



Executive Single      Single Stand Alone

Solid ash sculpted legs in matte clear laquer finish	●	●
Available in 1" TFL top with matching edge tape (Edge TE)	●	●
Available in 1" laminate (Edge 33) on ply tops	●	●
Tooled aluminum components in Black	●	●
Hidden frame attachments	●	●
Leveling feet	●	●
Scalloped cable access	□	●

Optional features:

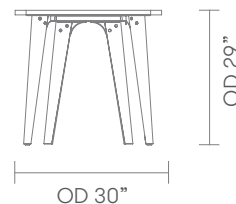
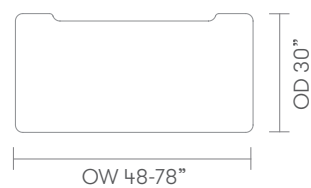
Solid ash sculpted legs available in Black stain	+ \$0	+ \$0
TFL top available with contrasting edge tape ply effect (Edge TE)	+ \$0	+ \$0
Tooled aluminum components available in White, Coral, and Sage	+ \$0	+ \$0

\* [Click here to see available TFL finishes](#)

\* [Click here to see available Laminate options](#)

*Ships KD = Knock Down (Needs assembly)*

## dimensions – OH - Overall Height OD - Overall Depth OW - Overall Width AH - Arm Height SH - Seat Height SW - Seat Width SD - Seat Depth



[Back to index](#)

Code	Edge	TFL Standard	TFL Premium Colors	TFL Premium Wood Grains	Global Laminates	Fenix
<b>PLE4830</b> Executive Single • 30" x 48"	TE	3,327	3,427	3,594	-	-
	33	-	-	-	3,932	4,382
<b>PLE5430</b> Executive Single • 30" x 54"	TE	3,391	3,493	3,663	-	-
	33	-	-	-	4,082	4,589
<b>PLE6030</b> Executive Single • 30" x 60"	TE	3,447	3,551	3,723	-	-
	33	-	-	-	4,277	4,840
<b>PLE7230</b> Executive Single • 30" x 72"	TE	3,508	3,614	3,789	-	-
	33	-	-	-	4,461	5,136
<b>PLE7830</b> Executive Single • 30" x 78"	TE	3,816	3,931	4,122	-	-
	33	-	-	-	4,565	5,297



<b>PL4830</b> Single Stand Alone • 30" x 48"	TE	3,327	3,427	3,594	-	-
	33	-	-	-	3,932	4,382
<b>PL5430</b> Single Stand Alone • 30" x 54"	TE	3,391	3,493	3,663	-	-
	33	-	-	-	4,082	4,589
<b>PL6030</b> Single Stand Alone • 30" x 60"	TE	3,447	3,551	3,723	-	-
	33	-	-	-	4,277	4,840
<b>PL7230</b> Single Stand Alone • 30" x 72"	TE	3,508	3,614	3,789	-	-
	33	-	-	-	4,461	5,136
<b>PL7830</b> Single Stand Alone • 30" x 78"	TE	3,815	3,931	4,121	-	-
	33	-	-	-	4,565	5,297

TE = Taped Edge

33 = Edge Detail

All prices listed in US \$

*Ships KD = Knock Down (Needs assembly)*



# Pailo - Single Desk

Design – Allermuir

Pailo is a desking system featuring single and back to back benches as well as two shapes of project tables for more relaxed work settings. A natural selection for any corporate space, Pailo’s defining wood legs are available in a matte clear lacquer or a black stain to complement the wide range of top finishes available.

The inclusion of a gantry provides a hanging space for Pailo’s versatile range of screens and accessories. Hanging screens can be suspended from the gantry by bridle leather straps, leaving the above space free to be used for accessories and plants. An adjustable drape screens offer personalized levels of privacy, attached to the gantry they can be raised or lowered by the user to suit individual preference.



	Single Starter	Single Add On Mid	Single Add On End
Solid ash sculpted legs in matte clear laquer finish	●	●	●
Available in 1" TFL top with matching edge tape (Edge TE)	●	●	●
Available in 1" laminate (Edge 33) on ply tops	●	●	●
Tooled aluminum components in Black	●	●	●
Hidden frame attachments	●	●	●
Leveling feet	●	●	●
Scalloped cable access	●	●	●

Optional features:

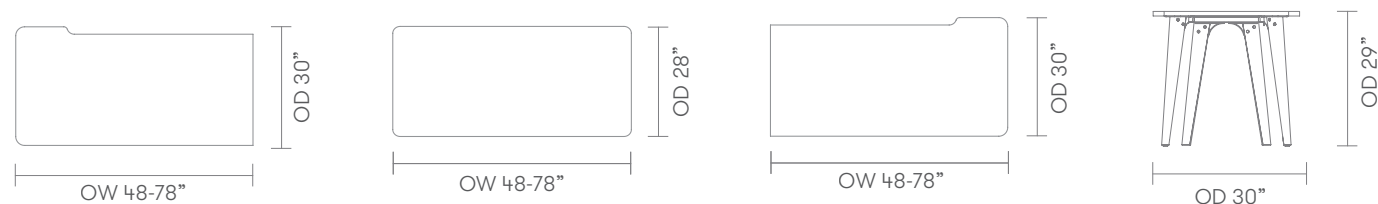
Solid ash sculpted legs available in Black Stain	+ \$0	+ \$0	+ \$0
TFL top available with contrasting edge tape ply effect (Edge TE)	+ \$0	+ \$0	+ \$0
Tooled aluminum components available in White, Totally Orange, Pistachio, & Peacock Blue	+ \$0	+ \$0	+ \$0

\* Click here to see available TFL finishes

\* Click here to see available Laminate options

Ships KD = Knock Down (Needs assembly)

dimensions – OH - Overall Height OD - Overall Depth OW - Overall Width AH - Arm Height SH - Seat Height SW - Seat Width SD - Seat Depth



[Back to index](#)

Code	Edge	TFL Standard	TFL Premium Colors	TFL Premium Wood Grains	Global Laminates	Fenix
<b>PL4830S</b> Single Starter • 30" x 48"	TE	3,327	3,427	3,594	-	-
	33	-	-	-	3,932	4,382
<b>PL5430S</b> Single Starter • 30" x 54"	TE	3,391	3,493	3,663	-	-
	33	-	-	-	4,082	4,589
<b>PL6030S</b> Single Starter • 30" x 60"	TE	3,447	3,551	3,723	-	-
	33	-	-	-	4,277	4,840
<b>PL7230S</b> Single Starter • 30" x 72"	TE	3,508	3,614	3,789	-	-
	33	-	-	-	4,461	5,136
<b>PL7830S</b> Single Starter • 30" x 78"	TE	3,815	3,931	4,122	-	-
	33	-	-	-	4,565	5,297
<b>PL4830MA</b> Single Add On Mid • 30" x 48"	TE	1,978	2,038	2,137	-	-
	33	-	-	-	2,583	3,033
<b>PL5430MA</b> Single Add On Mid • 30" x 54"	TE	2,024	2,085	2,186	-	-
	33	-	-	-	2,712	3,219
<b>PL6030MA</b> Single Add On Mid • 30" x 60"	TE	2,059	2,121	2,224	-	-
	33	-	-	-	2,880	3,443
<b>PL7230MA</b> Single Add On Mid • 30" x 72"	TE	2,102	2,166	2,271	-	-
	33	-	-	-	3,055	3,730
<b>PL7830MA</b> Single Add On Mid • 30" x 78"	TE	2,143	2,208	2,315	-	-
	33	-	-	-	3,142	3,874
<b>PL4830EA</b> Single Add On End • 30" x 48"	TE	1,978	2,038	2,137	-	-
	33	-	-	-	2,583	3,033
<b>PL5430EA</b> Single Add On End • 30" x 54"	TE	2,024	2,085	2,186	-	-
	33	-	-	-	2,712	3,219
<b>PL6030EA</b> Single Add On End • 30" x 60"	TE	2,059	2,121	2,224	-	-
	33	-	-	-	2,880	3,443
<b>PL7230EA</b> Single Add On End • 30" x 72"	TE	2,102	2,166	2,271	-	-
	33	-	-	-	3,055	3,730
<b>PL7830EA</b> Single Add On End • 30" x 78"	TE	2,143	2,208	2,315	-	-
	33	-	-	-	3,142	3,874

All prices listed in USD \$  
Ships KD = Knock Down (Needs assembly)



# Pailo - Single Desk Accessories and Power

Design – Allermuir

	Width (inch)				
	48" W	54" W	60" W	72" W	78" W
<b>Horizontal Cable Tray</b> Single Cable Tray	<b>PLCT48</b> <b>360</b> SEE NOTE 1	<b>PLCT54</b> <b>380</b> SEE NOTE 1	<b>PLCT60</b> <b>401</b> SEE NOTE 1	<b>PLCT72</b> <b>421</b> SEE NOTE 1	<b>PLCT78</b> <b>442</b> SEE NOTE 1
<b>Vertical Cable Riser</b>	<b>PLVCM</b> <b>262</b> SEE NOTE 1 & 2				
<b>Cloud Screen with Modesty Panel</b>	<b>PLMS48</b> <b>879</b> SEE NOTE 3	<b>PLMS54</b> <b>907</b> SEE NOTE 3	<b>PLMS60</b> <b>922</b> SEE NOTE 3	<b>PLMS72</b> <b>942</b> SEE NOTE 3	<b>PLMS78</b> <b>962</b> SEE NOTE 3

Note 1: Metal may be finished on Black, White, Totally Orange, Pistachio, & Peacock Blue  
 Note 2: Only for use with cable trays. Available in Black fabric.  
 Note 3: Upholstered in Camira Blazer or Camira Synergy

All prices listed in US \$  
 Ships KD = Knock Down (Needs assembly)

TE = Taped Edge  
 33 = Edge Detail



	Length (inches)		
	72"	108"	144"
<b>8+ System Hardwire Infeeds.</b> <b>8 wire 4 Circuit</b> For Single, Inline, and Bench desk power block options	<b>72HWINF84</b> <b>231</b>	<b>108HWINF84</b> <b>296</b>	<b>144HWINF84</b> <b>363</b>



	Single/Inline Desk Power Blocks				
	Length (inches)				
	48"	54"	60"	72"	78"
<b>Single Desk Electrical Kit</b> 1 x power block 4 x receptacles 1 x jumper cable	<b>EK48SB</b> <b>8W4C</b> <b>372</b>	<b>EK54SB</b> <b>8W4C</b> <b>382</b>	<b>EK60SB</b> <b>8W4C</b> <b>393</b>	<b>EK72SB</b> <b>8W4C</b> <b>416</b>	<b>EK78SB</b> <b>8W4C</b> <b>426</b>
<b>Single Desk End of Run Block</b> 1 x power block 4 x receptacles	<b>EKEORSSB</b> <b>197</b>				



All prices listed in USD \$  
 Ships Semi-KD = Knock Down (Needs some assembly)

<b>M2 Desk Mounted Adjustable Monitor Arm</b> Please specify DC if desk clamped or CP for cable port fixed.	<b>M2CLF17DC</b> <b>638</b> SEE NOTE 1	<b>M2CLF17CP</b> <b>638</b> SEE NOTE 1
<b>Above Desk Power (3-Prong Plug)</b> • Above table • White or Black • Two power outlets • 1 powered USB-A • 1 powered USB-C • 10 ft power cord with 3-prong plug	<b>ADPSC</b> <b>423</b> SEE NOTE 2	
<b>Above Desk Power (Hardwire)</b> • Above table • White or Black • Two power outlets • 1 powered USB-A • 1 powered USB-C • 10 ft hardwire infeed	<b>ADPSS</b> <b>484</b>	



Note 1: All monitor arms are compatible with most flat screen monitors. Please ensure monitors have VESA mounting. Consult with the Sales Office for more details.  
 Note 2: Available in White or Black. Please specify when ordering.

All prices listed in USD \$  
 Ships Semi-KD = Knock Down (Needs some assembly)

# Pailo - Back to Back Bench

Design – Allermuir

Pailo is a desking system featuring single and back to back benches as well as two shapes of project tables for more relaxed work settings. A natural selection for any corporate space, Pailo’s defining wood legs are available in a matte clear lacquer or a black stain to complement the wide range of top finishes available.

The inclusion of a gantry provides a hanging space for Pailo’s versatile range of screens and accessories. Hanging screens can be suspended from the gantry by bridle leather straps, leaving the above space free to be used for accessories and plants. An adjustable drape screens offer personalized levels of privacy, attached to the gantry they can be raised or lowered by the user to suit individual preference.



Back to Back Stand Alone

Solid ash sculpted legs in matte clear laquer finish	●
Available in 1" TFL top with matching edge tape (Edge TE)	●
Available in 1" laminate (Edge 33) on ply tops	●
Tooled aluminum components in Black	●
Hidden frame attachments	●
Leveling feet	●
Cable access	●

Optional features:

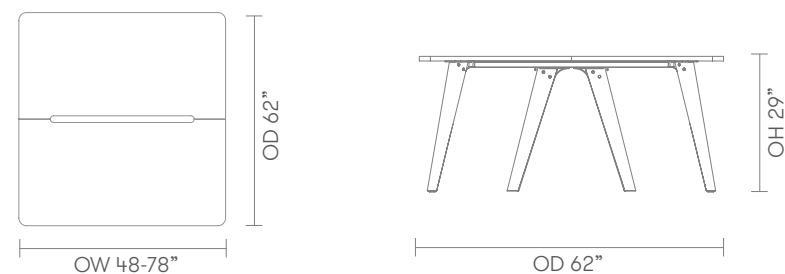
Solid ash sculpted legs available in Black stain	+ \$0
TFL top available with contrasting edge tape ply effect (Edge TE)	+ \$0
Tooled aluminum components available in White, Totally Orange, Pistachio, & Peacock Blue	+ \$0

\* [Click here to see available TFL finishes](#)

\* [Click here to see available Laminate options](#)

Ships KD = Knock Down (Needs assembly)

dimensions – OH - Overall Height OD - Overall Depth OW - Overall Width AH - Arm Height SH - Seat Height SW - Seat Width SD - Seat Depth



[Back to index](#)

Code	Edge	TFL Standard	TFL Premium Colors	TFL Premium Wood Grains	Global Laminates	Fenix
<b>PLB4862</b> Back to Back Stand Alone • 62" x 48"	TE	4,220	4,347	4,558	-	-
	33	-	-	-	5,465	6,395
<b>PLB5462</b> Back to Back Stand Alone • 62" x 54"	TE	4,405	4,538	4,758	-	-
	33	-	-	-	5,836	6,883
<b>PLB6062</b> Back to Back Stand Alone • 62" x 60"	TE	4,427	4,560	4,782	-	-
	33	-	-	-	6,112	7,275
<b>PLB7262</b> Back to Back Stand Alone • 62" x 72"	TE	4,571	4,709	4,937	-	-
	33	-	-	-	6,438	7,833
<b>PLB7862</b> Back to Back Stand Alone • 62" x 78"	TE	4,719	4,861	5,097	-	-
	33	-	-	-	6,756	8,268



# Pailo - Back to Back Bench

Design – Allermuir

Pailo is a desking system featuring single and back to back benches as well as two shapes of project tables for more relaxed work settings. A natural selection for any corporate space, Pailo's defining wood legs are available in a matte clear lacquer or a black stain to complement the wide range of top finishes available.

The inclusion of a gantry provides a hanging space for Pailo's versatile range of screens and accessories. Hanging screens can be suspended from the gantry by bridle leather straps, leaving the above space free to be used for accessories and plants. An adjustable drape screens offer personalized levels of privacy, attached to the gantry they can be raised or lowered by the user to suit individual preference.

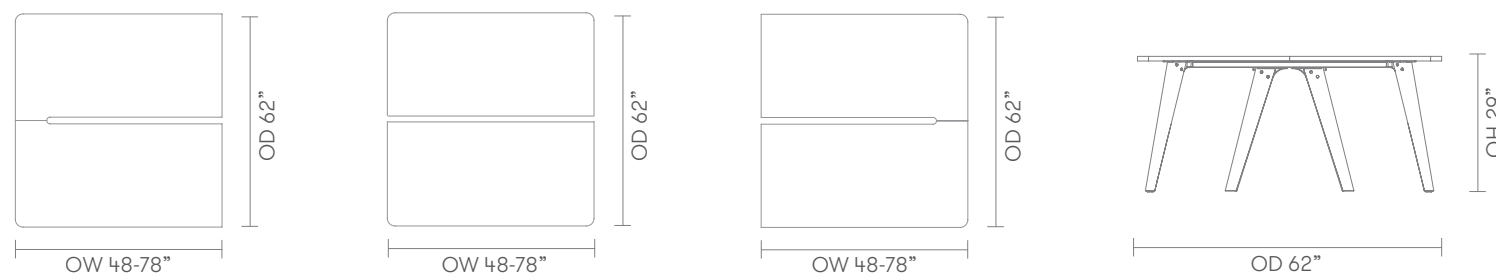


	Back to Back Starter	Back to Back Add on Mid	Back to Back End
Solid ash sculpted legs in matte clear laquer finish	●	●	●
Available in 1" TFL top with matching edge tape (Edge TE)	●	●	●
Available in 1" laminate (Edge 33) on ply tops	●	●	●
Tooled aluminum components in Black	●	●	●
Hidden frame attachments	●	●	●
Leveling feet	●	●	●
Scalloped cable access	●	●	●
<b>Optional features:</b>			
Solid ash sculpted legs available in Black stain	+ \$0	+ \$0	+ \$0
TFL top available with contrasting edge tape ply effect (Edge TE)	+ \$0	+ \$0	+ \$0
Tooled aluminum components available in White, Totally Orange, Pistachio, & Peacock Blue	+ \$0	+ \$0	+ \$0

\* [Click here to see available TFL finishes](#)  
 \* [Click here to see available Laminate options](#)

Ships KD = Knock Down (Needs assembly)

**dimensions** – OH - Overall Height OD - Overall Depth OW - Overall Width AH - Arm Height SH - Seat Height SW - Seat Width SD - Seat Depth



[Back to index](#)

Code	Edge	TFL Standard	TFL Premium Colors	TFL Premium Wood Grains	Global Laminates	Fenix
<b>PLB4862S</b> Back to Back Starter • 62" x 48"	TE	4,220	4,347	4,558	-	-
	33	-	-	-	5,465	6,395
<b>PLB5462S</b> Back to Back Starter • 62" x 54"	TE	4,405	4,538	4,758	-	-
	33	-	-	-	5,836	6,883
<b>PLB6062S</b> Back to Back Starter • 62" x 60"	TE	4,427	4,560	4,782	-	-
	33	-	-	-	6,112	7,275
<b>PLB7262S</b> Back to Back Starter • 62" x 72"	TE	4,571	4,709	4,937	-	-
	33	-	-	-	6,438	7,833
<b>PLB7862S</b> Back to Back Starter • 62" x 78"	TE	4,719	4,861	5,097	-	-
	33	-	-	-	6,756	8,268
<hr/>						
<b>PLB4862MA</b> Back to Back Add on Mid • 62" x 48"	TE	2,958	3,047	3,195	-	-
	33	-	-	-	4,203	5,133
<b>PLB5462MA</b> Back to Back Add on Mid • 62" x 54"	TE	3,042	3,134	3,286	-	-
	33	-	-	-	4,473	5,520
<b>PLB6062MA</b> Back to Back Add on Mid • 62" x 60"	TE	3,125	3,219	3,375	-	-
	33	-	-	-	4,810	5,973
<b>PLB7262MA</b> Back to Back Add on Mid • 62" x 72"	TE	3,211	3,308	3,468	-	-
	33	-	-	-	5,034	6,429
<b>PLB7862MA</b> Back to Back Add on Mid • 62" x 78"	TE	3,293	3,392	3,557	-	-
	33	-	-	-	5,845	7,357
<hr/>						
<b>PLB4862EA</b> Back to Back Add on End • 62" x 48"	TE	2,958	3,047	3,195	-	-
	33	-	-	-	4,203	5,133
<b>PLB5462EA</b> Back to Back Add on End • 62" x 54"	TE	3,042	3,134	3,286	-	-
	33	-	-	-	4,473	5,520
<b>PLB6062EA</b> Back to Back Add on End • 62" x 60"	TE	3,125	3,219	3,375	-	-
	33	-	-	-	4,810	5,973
<b>PLB7262EA</b> Back to Back Add on End • 62" x 72"	TE	3,211	3,308	3,468	-	-
	33	-	-	-	5,034	6,429
<b>PLB7862EA</b> Back to Back Add on End • 62" x 78"	TE	3,293	3,392	3,557	-	-
	33	-	-	-	5,845	7,357

All prices listed in USD \$  
 Ships Semi-KD = Knock Down (Needs some assembly)



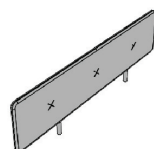
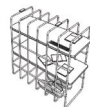
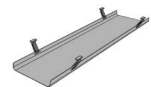
# Pailo - Back to Back Bench Accessories and Power

Design – Allermuir

	Width (inch)				
	48" W	54" W	60" W	72" W	78" W
<b>Horizontal Cable Tray</b> Double Cable Tray	<b>PLDCT48</b> <b>433</b> SEE NOTE 1	<b>PLDCT54</b> <b>460</b> SEE NOTE 1	<b>PLDCT60</b> <b>497</b> SEE NOTE 1	<b>PLDCT72</b> <b>527</b> SEE NOTE 1	<b>PLDCT78</b> <b>544</b> SEE NOTE 1
<b>Vertical Cable Riser</b>	<b>PLVCM</b> <b>262</b> SEE NOTE 1 & 2				
<b>Wire Caddy</b> Includes 2 Shelves 10" W x 22" H x 22" D	<b>PLWC</b> <b>442</b> SEE NOTE 1				
<b>Cloud Screen</b>	<b>PLCS48</b> <b>769</b> SEE NOTES 1 & 3	<b>PLCS54</b> <b>803</b> SEE NOTES 1 & 3	<b>PLCS60</b> <b>840</b> SEE NOTES 1 & 3	<b>PLCS72</b> <b>876</b> SEE NOTES 1 & 3	<b>PLCS78</b> <b>917</b> SEE NOTES 1 & 3

Note 1: Metal may be finished on Black, White, Totally Orange, Pistachio, & Peacock Blue  
 Note 2: Only for use with cable trays  
 Note 3: Upholstered in Camira Blazer or Camira Synergy

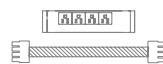
All prices listed in USD \$  
 Ships Semi-KD = Knock Down (Needs some assembly)



	Length (inches)		
	72"	108"	144"
<b>84 System Hardwire Infeeds.</b> <b>8 wire 4 Circuit</b> For Single, Inline, and Bench desk power block options	<b>72HWINF84</b> <b>231</b>	<b>108HWINF84</b> <b>296</b>	<b>144HWINF84</b> <b>363</b>



	Single/Inline Desk Power Blocks				
	Length (inches)				
	48"	54"	60"	72"	78"
<b>Bench Desk Electrical Kit</b> 1 x power block 8 x receptacles 1 x jumper cable	<b>EK48DSB</b> <b>8W4C</b> <b>467</b>	<b>EK54DSB</b> <b>8W4C</b> <b>479</b>	<b>EK60DSB</b> <b>8W4C</b> <b>490</b>	<b>EK72DSB</b> <b>8W4C</b> <b>512</b>	<b>EK78DSB</b> <b>8W4C</b> <b>522</b>
<b>Bench Desk End of Run Block</b> 1 x power block 8 x receptacles	<b>EKEORSDSB</b> <b>279</b>				



All prices listed in USD \$  
 Ships Semi-KD = Knock Down (Needs some assembly)

<b>M2 Desk Mounted Adjustable Monitor Arm</b> Please specify DC if desk clamped or CP for cable port fixed.	<b>M2CLF17DC</b> <b>638</b> SEE NOTE 1	<b>M2CLF17CP</b> <b>638</b> SEE NOTE 1
<b>Above Desk Power (3-Prong Plug)</b> • Above table • White or Black • Two power outlets • 1 powered USB-A • 1 powered USB-C • 10 ft power cord with 3-prong plug	<b>ADPSC</b> <b>423</b> SEE NOTE 2	
<b>Above Desk Power (Hardwire)</b> • Above table • White or Black • Two power outlets • 1 powered USB-A • 1 powered USB-C • 10 ft hardwire infeed	<b>ADPSS</b> <b>484</b>	



Note 1: All monitor arms are compatible with most flat screen monitors. Please ensure monitors have VESA mounting. Consult with the Sales Office for more details.  
 Note 2: Available in White or Black. Please specify when ordering.

All prices listed in USD \$  
 Ships Semi-KD = Knock Down (Needs some assembly)

# Pailo - Gantry and Screens

Design – Allermuir

Pailo is a desking system featuring single and back to back benches as well as two shapes of project tables for more relaxed work settings. A natural selection for any corporate space, Pailo’s defining wood legs are available in a matte clear lacquer or a black stain to complement the wide range of top finishes available.

The inclusion of a gantry provides a hanging space for Pailo’s versatile range of screens and accessories. Hanging screens can be suspended from the gantry by bridle leather straps, leaving the above space free to be used for accessories and plants. An adjustable drape screen offers personalized levels of privacy, attached to the gantry they can be raised or lowered by the user to suit individual preference.

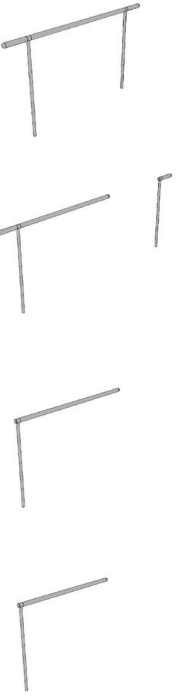


	Stand Alone Gantry	Starter Gantry	Add On Gantry Mid	Add On Gantry End	Adjustable Drape Screen	Hanging Screen
Metal components available in Black, White, Totally Orange, Pistachio, & Peacock Blue	+ \$0	+ \$0	+ \$0	+ \$0	+ \$0	+ \$0

[Back to index](#)

	Width (inch)				
	48" W	54" W	60" W	72" W	78" W
<b>Stand Alone Gantry</b>	<b>PLG48</b> <b>496</b> SEE NOTE 1	<b>PLG54</b> <b>524</b> SEE NOTE 1	<b>PLG60</b> <b>541</b> SEE NOTE 1	<b>PLG72</b> <b>564</b> SEE NOTE 1	<b>PLG78</b> <b>626</b> SEE NOTE 1
<b>Starter Gantry</b>	<b>PLG48S</b> <b>496</b> SEE NOTE 1	<b>PLG54S</b> <b>524</b> SEE NOTE 1	<b>PLG60S</b> <b>541</b> SEE NOTE 1	<b>PLG72S</b> <b>564</b> SEE NOTE 1	<b>PLG78S</b> <b>626</b> SEE NOTE 1
<b>Add On Gantry Mid</b>	<b>PLG48MA</b> <b>312</b> SEE NOTE 1	<b>PLG54MA</b> <b>346</b> SEE NOTE 1	<b>PLG60MA</b> <b>393</b> SEE NOTE 1	<b>PLG72MA</b> <b>408</b> SEE NOTE 1	<b>PLG78MA</b> <b>426</b> SEE NOTE 1
<b>Add On Gantry End</b>	<b>PLG48EA</b> <b>281</b> SEE NOTE 1	<b>PLG54EA</b> <b>330</b> SEE NOTE 1	<b>PLG60EA</b> <b>377</b> SEE NOTE 1	<b>PLG72EA</b> <b>392</b> SEE NOTE 1	<b>PLG78EA</b> <b>410</b> SEE NOTE 1

Note 1: Metal may be finished in Black, White, Totally Orange, Pistachio, & Peacock Blue



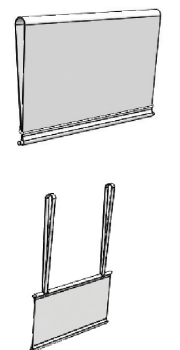
	Width (inch)				
	48" W	54" W	60" W	72" W	78" W
<b>Adjustable Drape Screen</b>	<b>PLAS48</b> <b>529</b> SEE NOTE 1 & 2	<b>PLAS54</b> <b>549</b> SEE NOTE 1 & 2	<b>PLAS60</b> <b>570</b> SEE NOTE 1 & 2	<b>PLAS72</b> <b>592</b> SEE NOTE 1 & 2	<b>PLAS78</b> <b>606</b> SEE NOTE 1 & 2
<b>Hanging Screen</b>	<b>PLHS48</b> <b>550</b> SEE NOTE 1 & 2	<b>PLHS54</b> <b>569</b> SEE NOTE 1 & 2	<b>PLHS60</b> <b>596</b> SEE NOTE 1 & 2	<b>PLHS72</b> <b>613</b> SEE NOTE 1 & 2	<b>PLHS78</b> <b>630</b> SEE NOTE 1 & 2

Note 1: Upholstered in Camira Blazer or Camira Synergy.

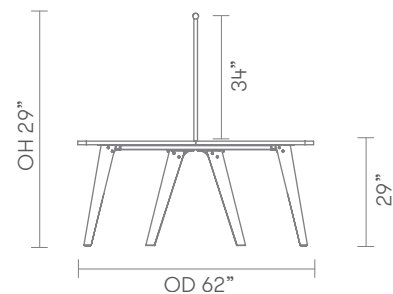
Note 2: Metal may be finished in Black, White, Totally Orange, Pistachio, & Peacock Blue

All prices listed in USD \$

Ships Semi-KD = Knock Down (Needs some assembly)



**dimensions** – OH - Overall Height OD - Overall Depth OW - Overall Width AH - Arm Height SH - Seat Height SW - Seat Width SD - Seat Depth



# Pailo - Project Tables

Design – Allermuir

Pailo is a desking system featuring single and back to back benches as well as two shapes of project tables for more relaxed work settings. A natural selection for any corporate space, Pailo’s defining wood legs are available in a matte clear lacquer or a black stain to complement the wide range of top finishes available.

The inclusion of a gantry provides a hanging space for Pailo’s versatile range of screens and accessories. Hanging screens can be suspended from the gantry by bridle leather straps, leaving the above space free to be used for accessories and plants. An adjustable drape screens offer personalized levels of privacy, attached to the gantry they can be raised or lowered by the user to suit individual preference.



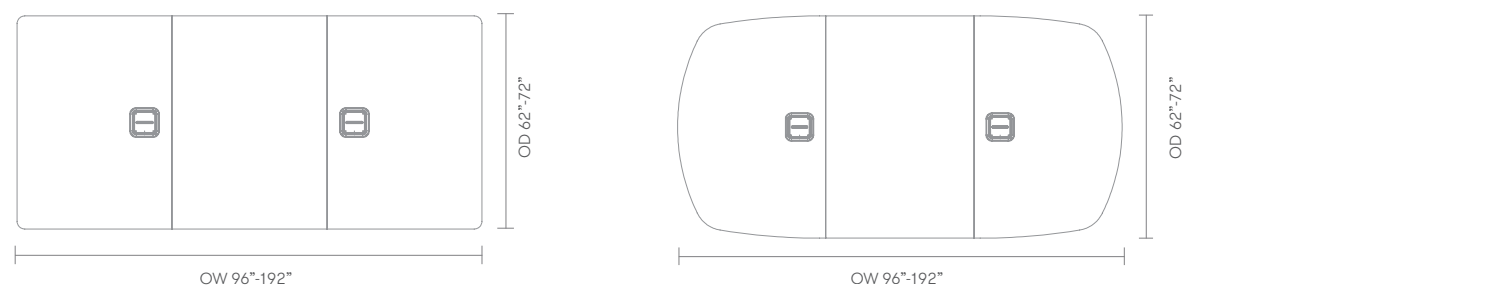
	Project Table No Cut Out	Boat Shaped Project Table No Cut-out	Project Table with cut-out for Power Option A & B	Boat Shaped project Table with cut out for Power Option A or B
Solid ash sculpted legs in matte clear finish	●	●	●	●
Available in 1" TFL top with matching edge tape (Edge TE)	●	●	●	●
Available in 1" laminate (Edge 33) on ply tops	●	●	●	●
Tooled aluminum components in Black	●	●	●	●
Hidden frame attachments	●	●	●	●
Optional features:				
Tooled aluminum components available in White, Totally Orange, Pistachio, & Peacock Blue	+ \$0	+ \$0	+ \$0	+ \$0
Solid ash sculpted legs available in Black stain	+ \$0	+ \$0	+ \$0	+ \$0

\* [Click here to see available TFL finishes](#)

\* [Click here to see available Laminate options](#)

Ships KD = Knock Down (Needs assembly)

dimensions – OH - Overall Height OD - Overall Depth OW - Overall Width AH - Arm Height SH - Seat Height SW - Seat Width SD - Seat Depth



[Back to index](#)

Code	Edge	TFL Standard	TFL Premium Colors	TFL Premium Wood Grains	Global Laminates	Fenix
<b>PLMT9662</b> Project Table No Cut Out • 62" x 96"	TE	6,583	6,781	7,110	-	-
	33	-	-	-	9,146	11,006
<b>PLMT14462</b> Project Table No Cut Out • 62" x 144"	TE	7,504	7,730	8,105	-	-
	33	-	-	-	11,375	14,165
<b>PLMT19262</b> Project Table No Cut Out • 62" x 192"	TE	10,238	10,546	11,058	-	-
	33	-	-	-	15,364	19,084
<b>PLBMT9672</b> Boat Shaped Project Table No Cut Out • 72" x 96"	TE	6,614	6,813	7,144	-	-
	33	-	-	-	9,376	11,536
<b>PLBMT14472</b> Boat Shaped Project Table No Cut Out • 72" x 144" Back to Back Starter	TE	7,555	7,782	8,160	-	-
	33	-	-	-	11,699	14,939
<b>PLBMT19272</b> Boat Shaped Project Table No Cut Out • 72" x 192"	TE	10,305	10,615	11,130	-	-
	33	-	-	-	15,830	20,150
<b>PLMT9662-AB</b> Project Table with cut out for Power Option A or B • 62" x 96"	TE	6,583 SEE NOTE 1	6,781 SEE NOTE 1	7,110 SEE NOTE 1	-	-
	33	-	-	-	9,146 SEE NOTE 1	11,006 SEE NOTE 1
<b>PLMT14462-AB</b> Project Table with cut out for Power Option A or B • 62" x 144"	TE	7,504 SEE NOTE 1	7,730 SEE NOTE 1	8,105 SEE NOTE 1	-	-
	33	-	-	-	11,375 SEE NOTE 1	14,165 SEE NOTE 1
<b>PLMT19262-AB</b> Project Table with cut out for Power Option A or B • 62" x 192"	TE	10,238 SEE NOTE 2	10,546 SEE NOTE 2	11,058 SEE NOTE 2	-	-
	33	-	-	-	15,364 SEE NOTE 2	19,084 SEE NOTE 2
<b>PLBMT9672-AB</b> Boat-shaped Project Table with cut out for Power Option A or B • 72" x 96"	TE	6,614 SEE NOTE 1	6,813 SEE NOTE 1	7,144 SEE NOTE 1	-	-
	33	-	-	-	9,376 SEE NOTE 1	11,536 SEE NOTE 1
<b>PLBMT14472-AB</b> Boat-shaped Project Table with cut out for Power Option A or B • 72" x 144"	TE	7,555 SEE NOTE 1	7,782 SEE NOTE 1	8,160 SEE NOTE 1	-	-
	33	-	-	-	11,699 SEE NOTE 1	14,939 SEE NOTE 1
<b>PLBMT19272-AB</b> Boat-shaped Project Table with cut out for Power Option A or B • 72" x 192"	TE	10,305 SEE NOTE 2	10,615 SEE NOTE 2	11,130 SEE NOTE 2	-	-
	33	-	-	-	15,830 SEE NOTE 2	20,150 SEE NOTE 2

Note 1: If electrical options are specified for these tops, 2 power units are required. Power modules to be ordered separately, [Click to see details](#)

Note 2: If electrical options are specified for these tops, 4 power units are required. Power modules to be ordered separately, [Click to see details](#)

All prices listed in USD \$  
Ships Semi-KD = Knock Down (Needs some assembly)



# Pailo - Table Power Options

Design – Allermuir

Pailo is a desking system featuring single and back to back benches as well as two shapes of project tables for more relaxed work settings. A natural selection for any corporate space, Pailo’s defining wood legs are available in a matte clear lacquer or a black stain to complement the wide range of top finishes available.

The inclusion of a gantry provides a hanging space for Pailo’s versatile range of screens and accessories. Hanging screens can be suspended from the gantry by bridle leather straps, leaving the above space free to be used for accessories and plants. An adjustable drape screens offer personalized levels of privacy, attached to the gantry they can be raised or lowered by the user to suit individual preference.



[Back to index](#)

Electrical Option

<p><b>Power Module in Black</b></p> <ul style="list-style-type: none"> <li>• In table</li> <li>• 4 power outlets</li> <li>• 10 ft power cord with 3-prong plug</li> </ul>	<p><b>A</b></p>	<p><b>ALPUSMDP4P</b> <b>1,091</b></p>	<p>Code Price</p>	
<p><b>Power Module in Black</b></p> <ul style="list-style-type: none"> <li>• In table</li> <li>• 4 power outlets</li> <li>• 1 HDMI</li> <li>• 2 USB A+C charging ports</li> <li>• 10 ft power cord with 3-prong plug</li> </ul>	<p><b>B</b></p>	<p><b>ALPUSMDP4PAV</b> <b>1,739</b></p>	<p>Code Price</p>	

All prices listed in USD \$

Ships Semi-KD = Knock Down (Needs some assembly)

# Pailo

## Contrast Edge Tape TFL (Edge 69) tops only



Ply

## TFL Standard



Strata Oak

Urban Maple

White

Greige Castella Oak

Dark Rockford Hickory

Winter Oak



Light Gray

## TFL Premium Colors



Basalt

Premium White

Premium Black

Taupe Gray

Slate Gray

Cobalt Gray



Alby Blue



Smoke Green



Deep Sahara

## TFL Premium Wood Grains



Brown Casella Oak

Natural Casella Oak

Light Casella Oak

Black Casella Oak

## Global Laminates



Fog

Dark Chocolate

Fossil

Diamond Black

Mouse

Sarum Gray



Storm



Brite White



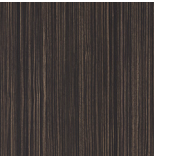
Chestnut Woodline



Oiled Walnut



White Ash



Ebony



Smoky Brown Pear



Millennium Oak



Natural Ash



Planked Coffee Oak

## Edge Finishes Laminate (Edge 33) tops only



Clear (Standard)

## Leg Colors



Matte Clear Finish

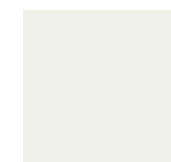


Black Stain

## Frame Finishes



Black



White



Pistachio



Totally Orange



Peacock Blue