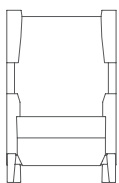




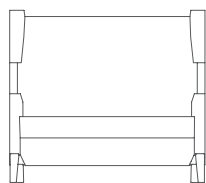
Grainger

Design by Allermuir

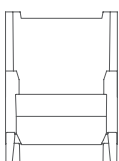
Grainger is a luxurious family of wingback arm chairs and matching ottoman. The chair is available with a high or low back, featuring exquisite upholstery detailing including piping to the arm panels and a deep buttoned back cushion.



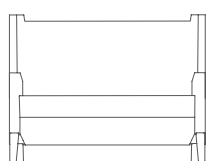
GR1



GR2



GR3



GR4



GR7



GR8



Design
Allermuir

Our team of talented in house designers is responsible for creating elegant, innovative furniture designs that not only look beautiful, but minimise the impact on the world around us.

Constantly exploring new product trends and keeping up to date with the latest innovations in technology and materials, our design team creates world class designs of the highest quality.

Standard Features

- (* - Selected models only)
- Traditional carcass construction
- Secured deep buttoned back cushion*
- Webbed seat support
- Solid Oak legs

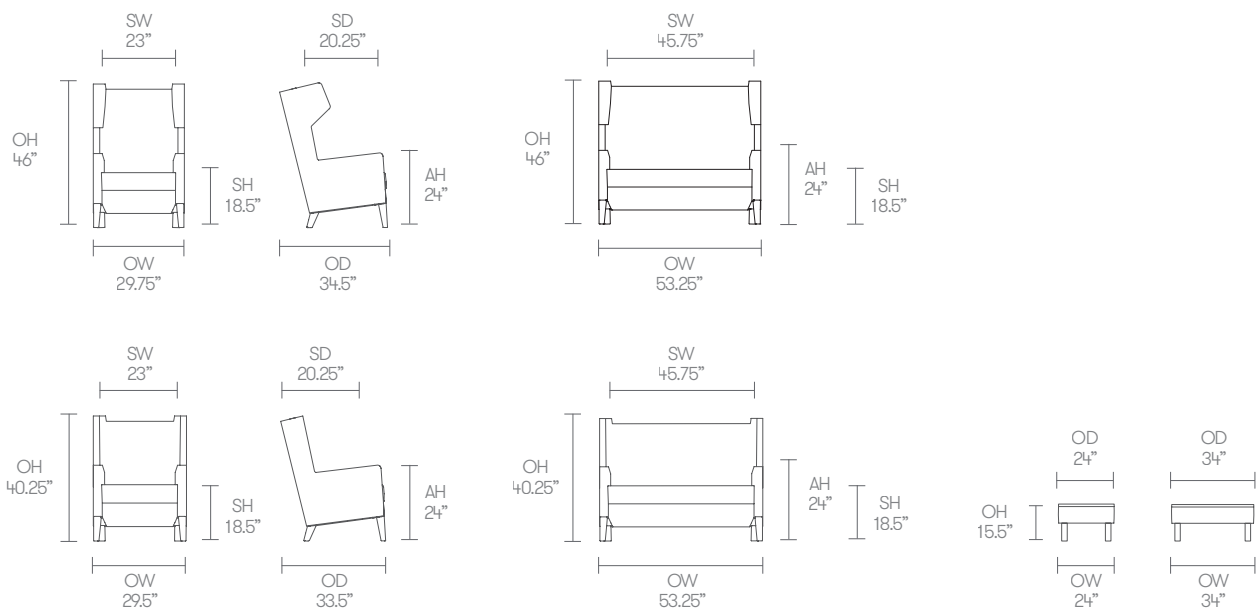
Optional Features

- Two-tone upholstery

Performance Standards

ANSI/BIFMA 5.4-2012

Dimensions



Environmental Performance

Material Content

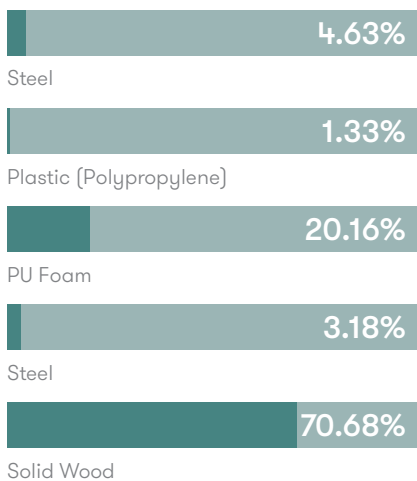
Components are constructed of the following

Recycled Content

Contains up to 4% of Recycled Material

Recyclability

The range is 100% recyclable



100%

Finish Options

Solid Oak legs can be stained or color washed.

Grainger can be upholstered in a broad range of contract upholstery fabrics and leathers from the standard Allermuir upholstery collection.

Wood Stains Based on Oak



Clear White Oak American Cherry American Walnut Dark Walnut Wenge

Color Washes Based on Oak



White as Snow Wash Back to Black Wash Slate Gray Wash Smoke Gray Wash Vintage Red Wash Ruby Red Wash Fern Green Wash Peacock Green Wash Blue Skies



Sapphire Blue Wash Orange Crush Wash Mellow Yellow Wash Nut Brown Wash Turtle Dove Wash Sherbet Yellow Wash Blush Pink Wash

Note: Color images are for reference only. Please verify with actual color sample.