

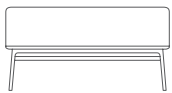


Axyl Bench

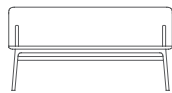
Design by Benjamin Hubert | LAYER

Axyl is a seating collection offering a sophisticated combination of recognizable elements. Comprising of an arm chair, bench, and stool. Axyl utilizes a strong

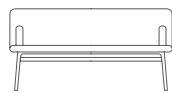
geometric design language that is entirely original yet draws on familiar references to create a range of highly functional seating.



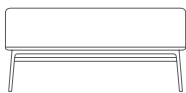
AXLB16
AXLB16U2*
AXLB16U3*



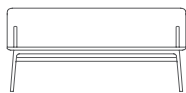
AXLBA16
AXLBA16U2*



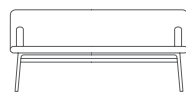
AXLBA16U3*



AXLB20
AXLB20U2*
AXLB20U3*



AXLBA20
AXLBA20U2*



AXLBA20U3*



Design

Design by Benjamin Hubert | LAYER

Benjamin Hubert is an award-winning British design entrepreneur, and founder of creative agency, LAYER. LAYER is focused on experience-driven design for both the physical and digital worlds. Led by Benjamin and a growing creative team,

LAYER is partnering with forward-thinking brands – including Nike, Pepsi, BMW, Samsung and Braun – to create products that will help define the way we live, work and communicate in the future.

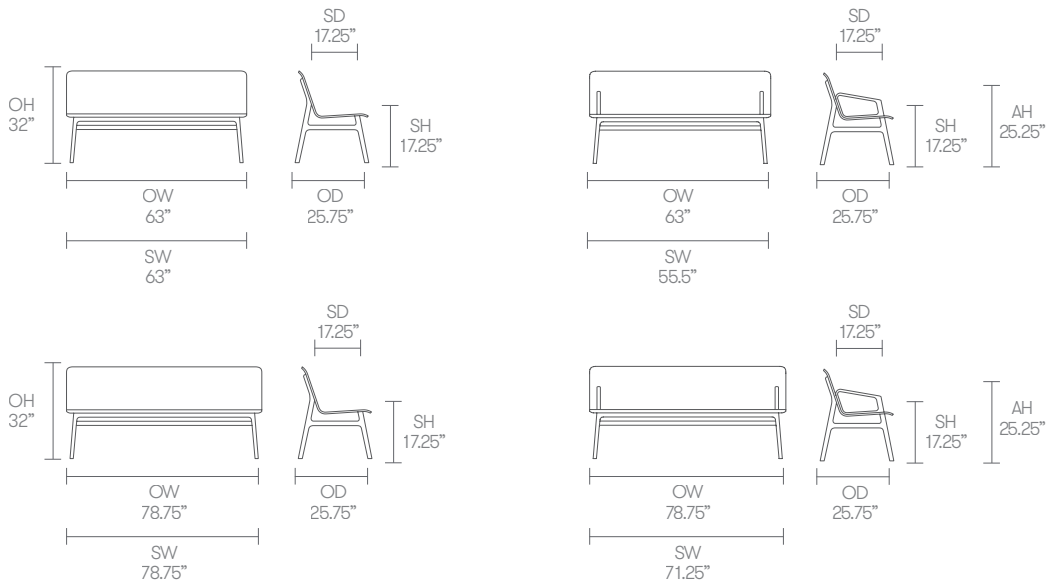
Standard Features

- (* - Selected models only)
- Oak veneer ply shell
- Cast Aluminum frame and extrusions
- Cast Aluminum arms*
- Plastic glides with levelling adjustment

Optional Features

- Plastic glides with felt and levelling adjustment

Dimensions



Standard Features

- (* - Selected models only)
- Oak veneer ply shell
- Upholstered inner shell
- Cast Aluminum frame and extrusions
- Cast Aluminum arms*
- Plastic glides with levelling adjustment

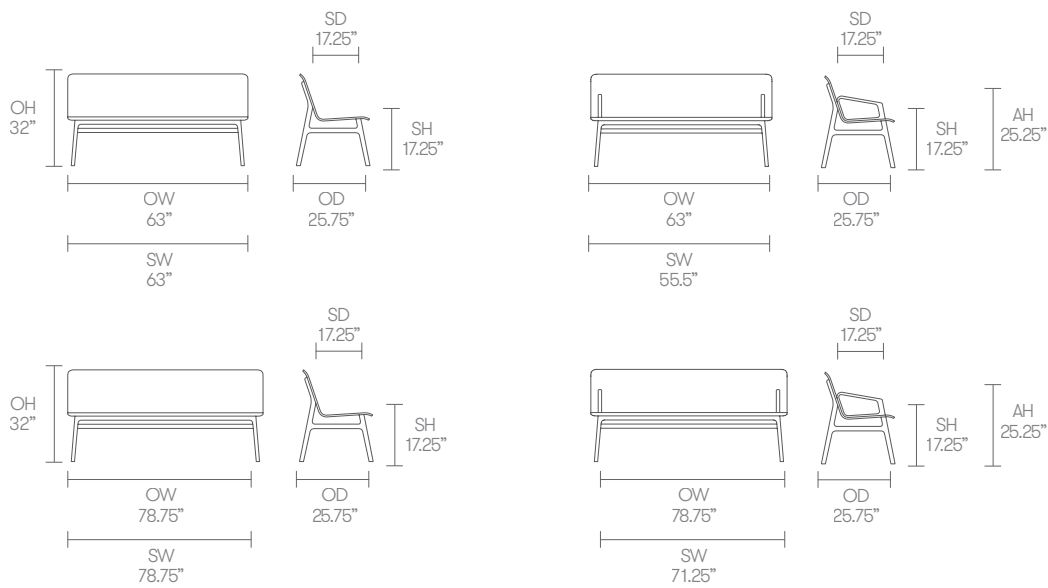
Optional Features

- Plastic glides with felt and levelling adjustment

Performance Standards

- BS EN 16139:2013-Level 2
- ANSI/BIFMA X5.1-2017

Dimensions



Standard Features

- (* - Selected models only)
- Fully upholstered shell
- Fully upholstered arms*
- Cast Aluminum frame and extrusions
- Plastic glides with levelling adjustment

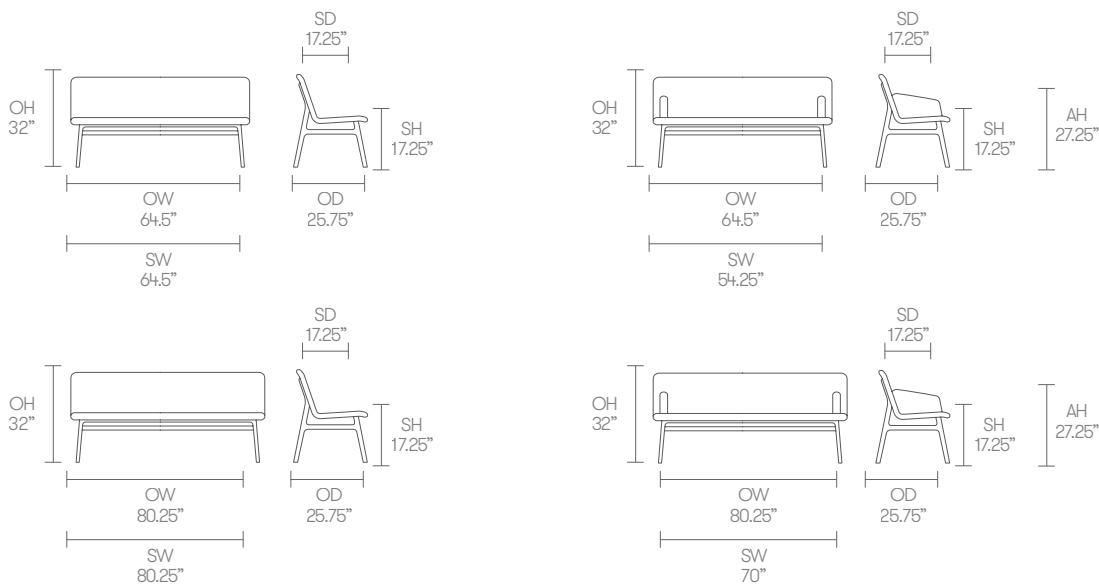
Optional Features

- Plastic glides with felt and levelling adjustment

Performance Standards

- BS EN 16139:2013-Level 2
- ANSI/BIFMA X5.1-2017

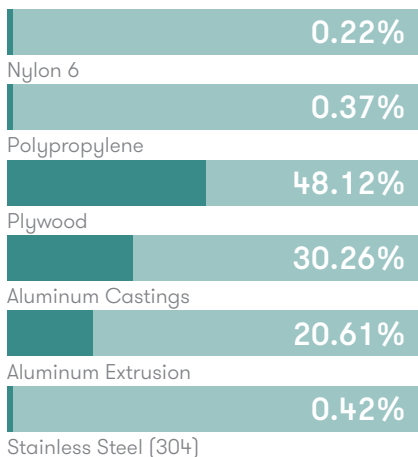
Dimensions



Environmental Performance

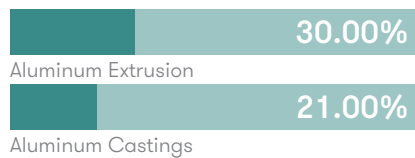
Material Content

Components are constructed of the following



Recycled Content

Contains up to 51.00% of Recycled Material



Recyclability

The range is 99% recyclable

99%

Finish Options

(* - Selected models only)

Oak veneer ply shell with a clear finish*

Upholstered inner shell*

Fully upholstered arms and shell*

Cast Aluminum frame, extrusions, and arms available in Black, White, Sage, Basalt, Peacock Blue, Coral, Stone, or Pebble powder coat

Oak veneer ply shell can be stained*

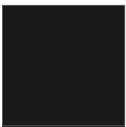
Oak veneer ply shell can be color washed to compliment frame finish*

Standard Wood Finishes

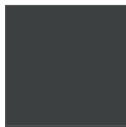


Oak

Frame Finishes



Black powder coat



Basalt powder coat



White powder coat



Sage powder coat



Peacock Blue powder coat



Coral powder coat



Pebble powder coat



Stone powder coat

Wood Color Washes



Black color wash



Basalt color wash



White color wash



Sage color wash



Peacock Blue color wash



Coral color wash



Stone color wash

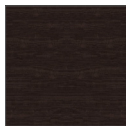


Pebble color wash

Wood Stains



Wenge wood stain



Dark Walnut wood stain



American Walnut wood stain



American Cherry wood stain

Note: Color images are for reference only. Please verify with actual color sample.