

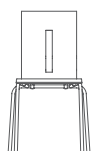


Scoop

Design by Fraser Lee

Visually minimal, Scoop is simple, compact and clever. The chairs can neatly stack together for easy storage or transportation making it perfect for transient spaces. Its simple tubular Steel frame construction and pressed Ply seats with their unique

character give Scoop freshness over and above existing mono shell designs on the market.



A432



A430



A433



Design Fraser Lee

Since Fraser Lee graduated from the Royal College of Art in 1984, he has exhibited at numerous shows and won a number of design awards.

Standard Features

(* - Selected models only)
 Stacks up to 8 high*
 Tubular Steel frame
 Plastic glides

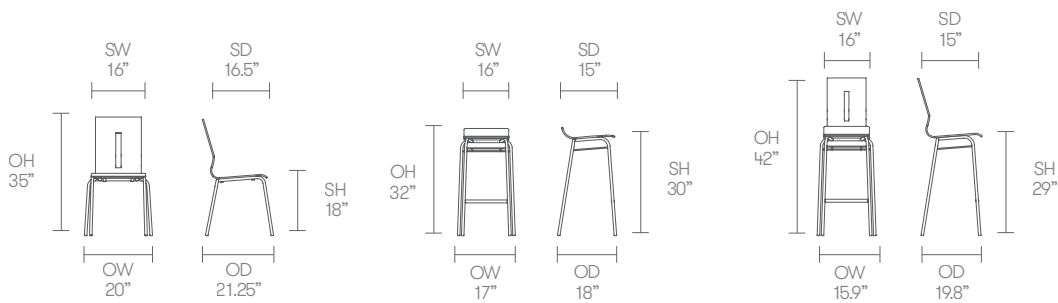
Optional Features

Alpi Oak shell
 Plastic glides with felt
 Counter height stool option*

Performance Standards

SCS-EC10.2-2007 Indoor Air Quality

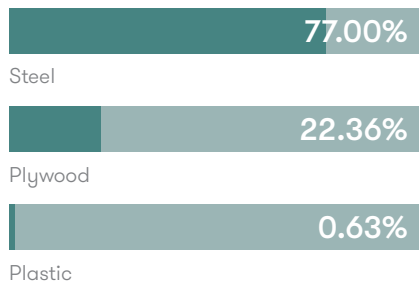
Dimensions



Environmental Performance

Material Content

Components are constructed of the following



Recycled Content

Contains up to 38.50% of Recycled Material



Recyclability

The range is 100% recyclable

100%

Finish Options

Tubular steel frame available in Polished Chrome

Shell is available in Alpi Oak Veneer with a clear finish

Standard Metal Finishes



Silver / M04



Polished
Chrome

Veneers & Laminates



Alpi Oak